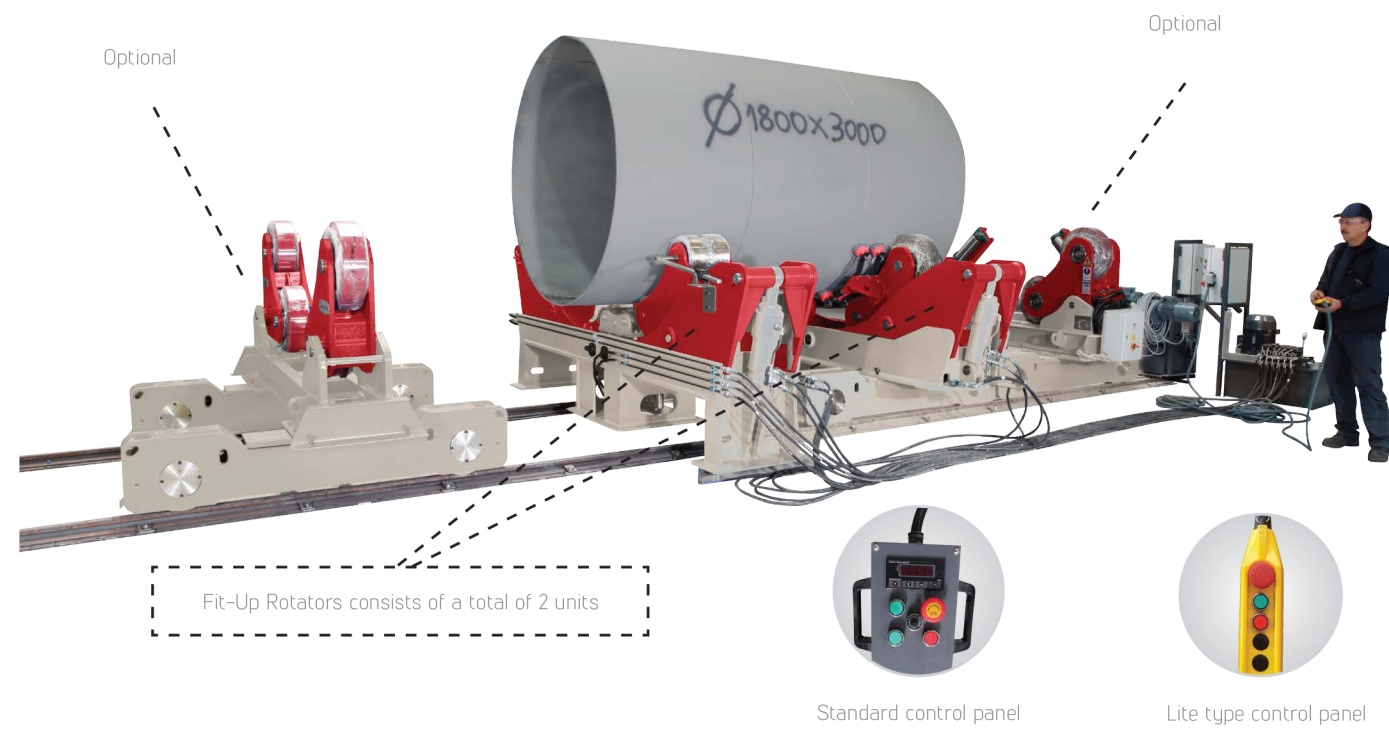




FIT-UP ROTATORS



Fitup rotators are developed to joint two pieces. two circular pieces can easily be concentrically adjusted. Fitup rotators consist of two idle units. One of the units is fix on the ground with steel rollers and the other travels on the rail with PU coated rollers.

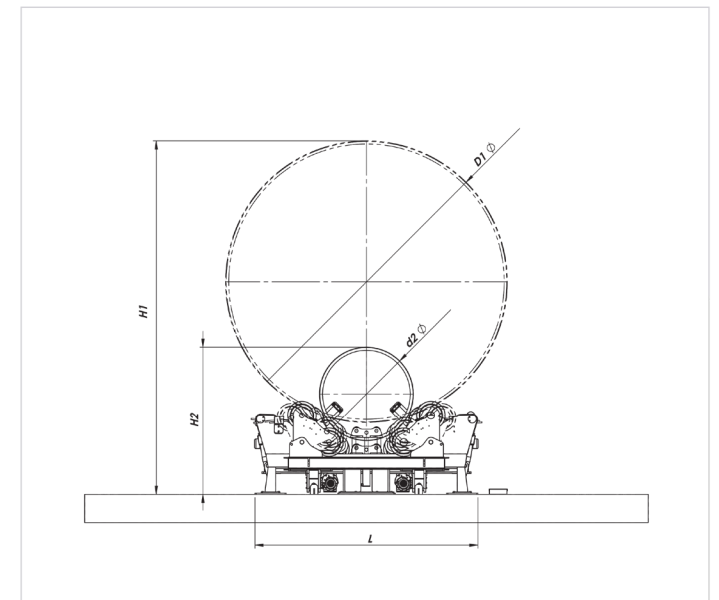
The rails should also be purchased. The length of the rail is not standard since the length of the piece is various. Fitup rotators cannot be ordered only one set. Required rail working length and other devices which work in line with fit-up unit is being engineered before the offer to meet customer application.

Standard Features

- Self-aligned diameter adjustments
- Remote controller with 5 meter cable length
- Two direction movement by hydraulic cylinders (left-right + up-down)
- Steel wheels on traveling unit
- PU wheels on fix unit
- Idler bogie system with traveling unit

Options

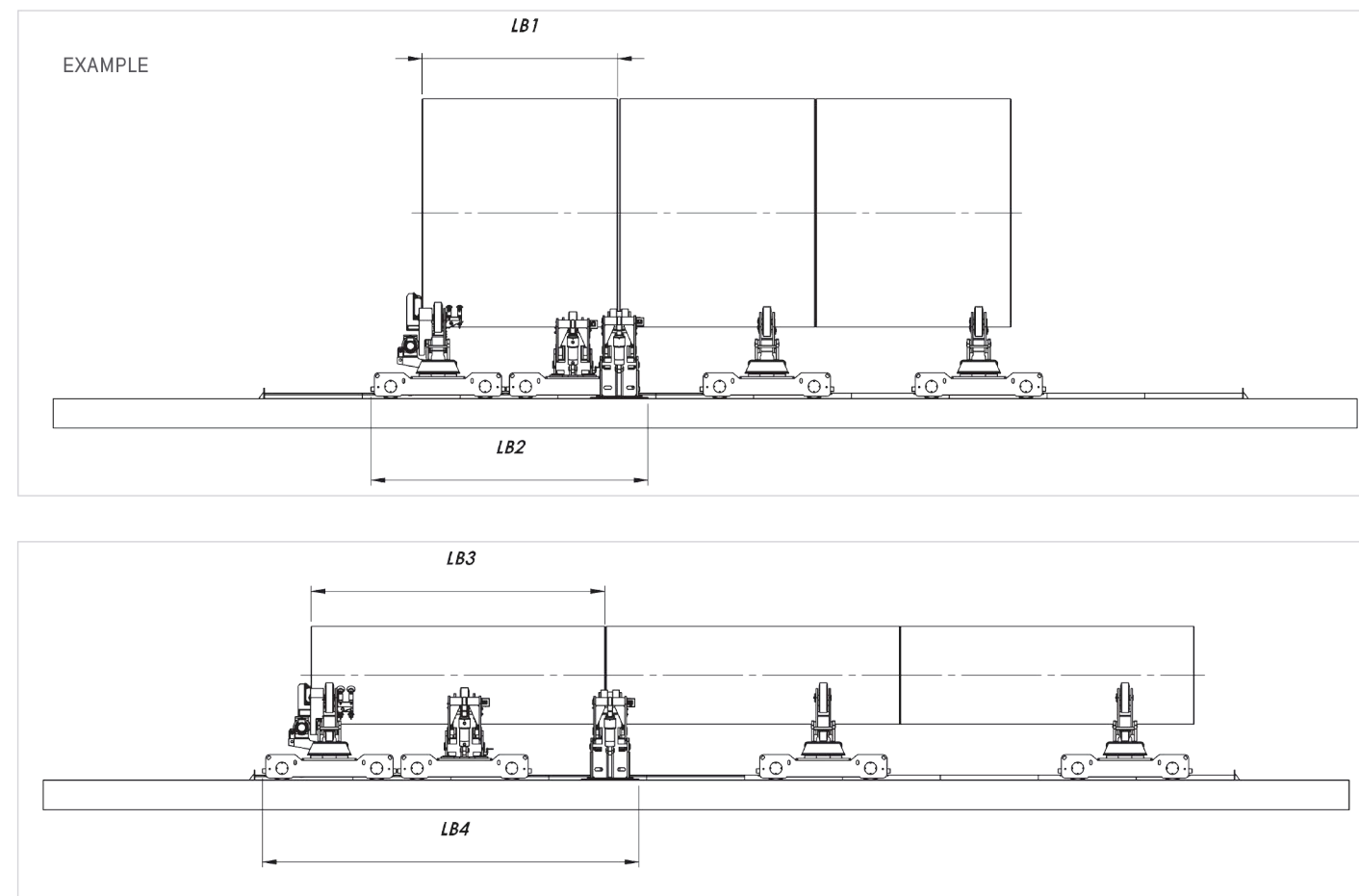
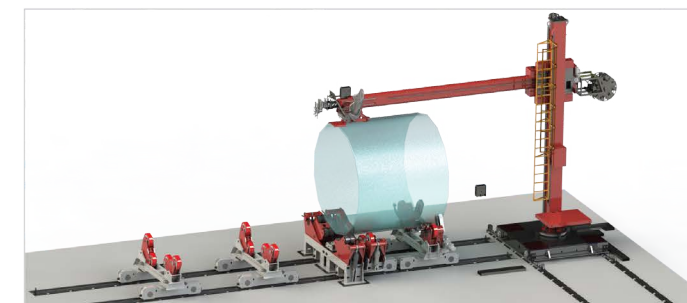
- Custom wheel designs
- Single fitup bed consists of 2 additional SAR rotators. Please ask for more details.
- Wireless remote controller



SFU30 30Tons FIT-UP Specifications

Model	SFU30
Load Capacity (lbs.)	66.000
Maximum Diameter (inch)	177
Minimum Diameter (inch)	59
Maximum Length (inch)	177
Minimum Length (inch)	118
Max. Circumferential Speed (ft/min)	2.67
Min. Circumferential Speed (ft/min)	0.79
Hydraulic Power (HP)	4
Max. Hydraulic Pressure (PSI)	2175
Support for Screw Effect	Optional
Brush Type Earthing	Optional
Total Power (HP)	9
Control Panel Voltage	24 V
Rail Type	A 55
Rail Axe Distance (inch)	65,75
Weight (lbs)	46.850
Voltage	380 / 400 / 415 / 480 V / 50Hz 3P

All specifications are subject to change without notice



Please ask if different capacity required for your job solutions.